

Industrial Rol-a-Door®

Gliderol Continuous Sheet Curtain Roller Door



Unprecedented in Construction and Design In terms of technical excellence and superior design, the Gliderol Industrial Rol-a-Door® is unsurpassed in the manufacturing industry. The Gliderol Roller Door will undoubtedly add style and character to any building; the Industrial Rol-a-Door® can be made to suit most commercial/industrial openings, and is designed to provide reliable service for years to come.

Leading the way in technology world wide Gliderol Garage Doors is a wholly owned Australian manufacturing company, with over fifteen international licensees world wide. The Gliderol Industrial Rol-a-Door® through years of research and development has evolved into a product demanding world wide attention. Computer assisted technology has enabled Gliderol to develop its manufacturing processes to produce an award winning industrial door that is cost effective, strong, hard-wearing, and safe.

Quality, Security and Safety that can be relied on The Gliderol Industrial Rol-a-Door® will provide you with strength and safety as a priority at all times. The strength gained from the unique broadline profile and aluminium bottom rail is unrivalled.

As a commercial enterprise you must take into account the security of your business, with the Gliderol Industrial Rol-a-Door® your security is guaranteed for many years.

A Gliderol Roller Door will always remain a very safe garage door for you to operate throughout its life-span. The unique spring assisted spindle assembly will enable the Roller Door to always open and close easily, providing reliable performance at all times.

Manufactured by
Gliderol Garage Doors

A Division of Gliderol
International Pty Ltd
ABN 92 007 928 949

An Australian
Manufacturing Company

32 Jacobsen Crescent
Holden Hill SA 5088
Adelaide, South Australia

Telephone +618 8261 9633
Facsimile +618 8261 9700

Gliderol Industrial Rol-a-Door®

Gliderol Continuous Sheet Curtain Roller Door

Features

(1) Roller Door Curtain Gliderol rollformed **COLORBOND® ZINCALUME®** sheet panels. Weather resistant and durable, able to withstand the harshest of Australian conditions. The curtain provides industrial strength and quality in design to enhance overall appearance of the Roller Door.

(2) Spring Assistance The Gliderol Roller Door with its spring assisted mechanism offers precise balance enabling the user efficient easy operation. A fine balance between the weight of the curtain and the upward pull of the springs is maintained regardless of the position of your door.

(3) Drum Wheel Gliderol was the first to employ the use of engineering plastics in the manufacture of the drum wheel. This nylon drum wheel has been developed over time into a hard-wearing high performance component.

(4) Polyglide™ Revolutionary new material developed by Gliderol Doors specifically for Roller Door operation. Allows effortless operation, with minimum noise and friction. Polyglide™ was tested for 22,000 cycles continuous use, the equivalent of more than 21 years service, based on three cycles a day.

(5) Weatherseal Durable weatherseal prevents any undesirable material entering your garage from the outside when the Gliderol Roller Door is closed.

(6) Bottom Rail Aluminium in construction, this bottom rail has specifically been designed to reinforce your Roller Door against intruder penetration. Lockseamed to the Roller Door curtain, the bottom rail will provide sustained security and strength.

(7) Door Stop/Roller Designed specially to reduce friction and to assist in ease of operation when opening and closing your Gliderol Roller Door.

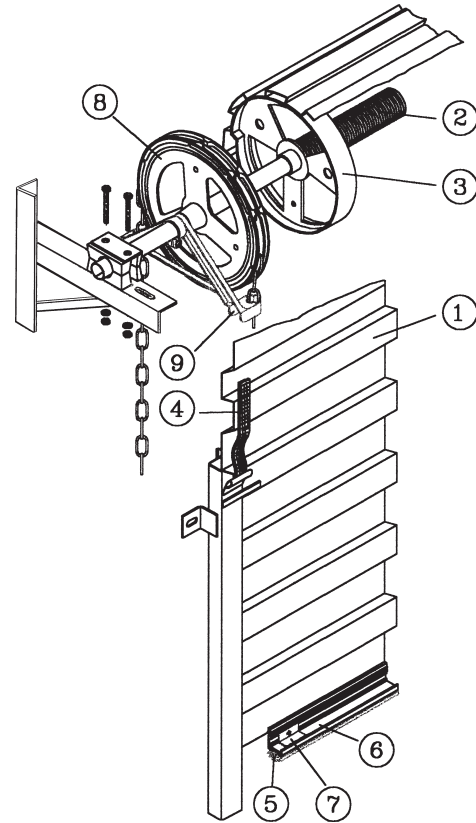
(8) Direct Chain Wheel Constructed of glass reinforced nylon, the direct chain wheel provides the user with smooth, efficient lifting assistance.

(9) Chain Guide Prevents the chain from slipping or releasing from chain wheel, ensures the safety is maintained at all times.

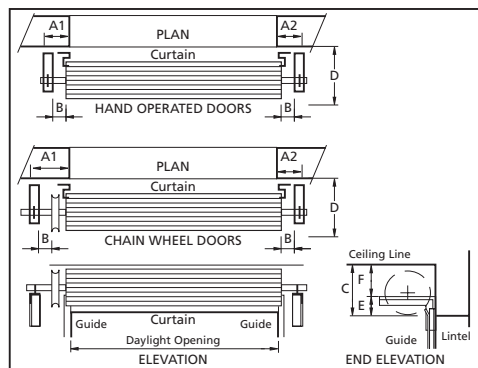
(* External Shoot Bolt) Practical locking mechanism enabling you to secure the Roller Door with padlocks from outside. Can be mounted at any height to suit individual preferences.

(* Optional Windlocking) Secure your Gliderol Roller Door against prevailing winds. Windlock Clips fixed to the Roller Door curtain secure the door in the guide. (*Cyclone rated. Certified AS1170-2).

(* Optional Planetary Gearing) assisted lifting mechanism, purposefully designed to enable safe, easy lifting operation of very large doors. Standard on any manual Industrial Rol-a-Door® covering an opening of greater than 10.5 square metres.



Right:
Industrial Rol-a-Door®
perfect for multiple storage facilities.



DIMENSION PANEL (Minimum sizes) mm							
SERIES B INDUSTRIAL	Side Room A1	Side Room A2	B	Head Room C	D	E	F
Hand Operated Up to 2400 high	150	125	50-100	460	540	190	270
Up to 500 high	150	125	50-100	490	560	205	285
Chain Operated Up to 2400 high	225	125	50-100	460	540	190	270
Up to 3000 high	225	125	50-100	490	560	205	285
Over 3000 high	225	125	50-100	530	580	230	300
STANDARD CURTAIN WIDTHS							
1000, 1300, 1600, 1900, 2200, 2800, 3100, 3430, 3700, 3760, 4300, 4370, 5000, 5100							
CURTAIN WIDTH							
DAYLIGHT OPENING PLUS 100mm							

COLORBOND® is a registered trademark of BHP Steel Pty Ltd.
*Cyclone rated for curtain widths up to 3710mm.



COLORBOND® Colours Your Gliderol Industrial Rol-a-Door® is available in most of the BHP steel **COLORBOND®** range. All colours are baked on over **ZINCALUME®** coated steel ensuring long life. The Gliderol Industrial Roller Door is also available in plain **ZINCALUME®** if you desire. Colour samples are readily available at your nearest Gliderol agent.

Gliderol Guarantee All new Gliderol Roller Doors come with the 7yr/12month Gliderol guarantee, whereby you receive 7 years on the steel curtain and one year on all finished material, parts and workmanship. Complete warranty details will be clearly outlined at point of sale.

Glidermatic GRD™

Industrial Roller Door Opener



The Glidermatic GRD™ opener is the first operator of its kind especially designed for continuous sheet curtain doors, available exclusively from Gliderol International Pty Ltd.

This uniquely engineered unit will provide you with an economic, dependable, high quality operator for doors up to 5.6 metres wide and 5.0 metres in height.

The Drive Unit remains the only operator available with the orbiting drive motors fully housed within the coil of the door and it requires only minimal field installation time, as a result of this innovative design feature.

The Drive Unit may be factory fitted inside the coil of the door or retrofitted to an existing installed door and comes complete with emergency chain hoist.

Installation requires only an additional 75mm of side room to that of a manual

push-up door or the same space required for our direct or reduced gear ratio drive chain hoist.

Power supply required to the wall mounted Control Box is standard supply voltage single phase. All control circuits and wiring to the Drive Unit are a low 24 volt DC; a plug-in wire is supplied to connect the Drive Unit to Control Box. The Drive Unit accommodates one or two 1/3HP DC motor(s), according to door size. The Control Box features three buttons for the UP, DOWN and STOP functions providing convenient, safe and secure operation of the door.

Safety reversing and obstruction control is via the use of an optional PE Cell linked directly to the Control Box to interrupt the door function and by the use of Gliderol's patented obstruction detection system built into the control circuitry.

Manufactured by
Gliderol Garage Doors

A Division of Gliderol
International Pty Ltd
ABN 92 007 928 949

An Australian
Manufacturing Company

32 Jacobsen Crescent
Holden Hill SA 5088
Adelaide, South Australia

Telephone +618 8261 9633
Facsimile +618 8261 9700

Glidermatic GRD™

Industrial Roller Door Opener

The Glidermatic GRD™ has been tested by the Underwriters Laboratory and has been patented worldwide.

The Glidermatic GRD™ operator's quality and dependability have been thoroughly tested and successfully proven with nearly twenty years of service in actual field use.

Drive Unit 1/3 HP DC Motor(s) are fixed to an end drum wheel and have special gear heads that project into and mesh with the main planetary gear housing which remains stationary for motor operation.

The drive force of the motor gear head rotates the motor(s), along with the drum wheel and door curtain, around the fixed planetary gear.

Door travel is controlled by open and close limit switches which are actuated by cam gears that are completely adjustable to suit door height. Easy access is provided. See detail A.

Diagram below right: Glidermatic GRD™ features:

1. Drive unit 1/3 HP DC motor(s)
2. Gear heads
3. Planetary gear housing
4. Drum wheel
5. Open and close limit switches
6. Cam gears
7. Emergency chain hoist
8. Plunger
9. Cut-out switch

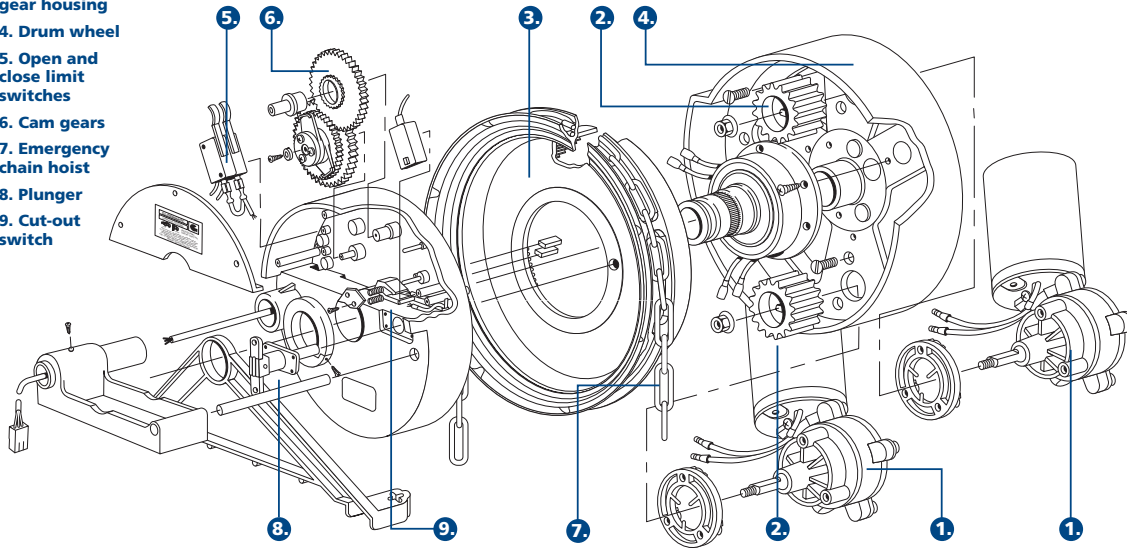
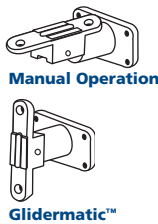


Diagram below: Glidermatic GRD™ Red Pin Handle



Door travel limit switch settings are not disturbed if door is switched to chain hoist operation, since the cam gears are rotated only by the actual travel of the door curtain. Settings are not lost during power failure either.

Emergency Chain Hoist is moulded as part of the main planetary gear housing. In case of power failure, a simple lever action withdraws a plunger from the main planetary gear which then makes it connect directly to the coil of the door, which can now be operated by the chain hoist.

A cut-out switch deactivates all power to the motor(s) while the lever is set to chain hoist operation.

Control Box is a fully insulated enclosure that contains the logic circuitry which includes overload protection. A three station push button with UP-DOWN-STOP is furnished in the control box as standard.

Minimal Field Installation is required for the control box and push button station, which is wall mounted in close proximity to the door.

The Company reserves the right to make changes or improvements to the products or accessories without notice and without incurring any obligation to make similar changes or improvements to goods previously ordered.



Detail A: End view of Drive Unit with access cover removed showing limit switches, cam gears and cut out switch. Also shown is the Manual emergency disconnect lever and the anchor block attached to wall bracket with dual anchor pins into the Drive Housing.



Detail B: Interior view of Dual 1/3 HP DC motors inside the coil of the door. Also shown is the chain hoist sheave which accepts welded chain and the chain guide.

Glidermatic GRD™ Guarantee Each newly installed or retrofitted Glidermatic GRD™ is guaranteed with the Gliderol warranty which provides you with a 12 month warranty on all electrical components, mechanical parts and workmanship.



Industrial Roller Door Opener
Using technology smarter.

Australian Distributors International Manufacturers and Licensees

Head Office
South Australia
Gliderol Garage Doors Pty Ltd
32 Jacobsen Crescent
Holden Hill SA 5088
Telephone (08) 8261 9633
Facsimile (08) 8261 9700

Victoria
Gliderol Garage Doors Pty Ltd
23 Kitchen Road
Dandenong VIC 3175
Telephone (03) 9793 5455
Facsimile (03) 9706 8492

New South Wales
Gliderol Manufacturing (NSW) Pty Ltd
45 Sarmit Street
Smithfield NSW 2164
Telephone (02) 9725 1033
Facsimile (02) 9725 1115

Queensland
Gliderol Garage Doors Pty Ltd
45 Harvey Street
Eagle Farm QLD 4009
Telephone (07) 3868 2766
Facsimile (07) 3868 2760

Western Australia
Gliderol Garage Doors Pty Ltd
21 Prindville Drive
Wangara WA 6065
Telephone (08) 9409 3000
Facsimile (08) 9409 3200

Tasmania
C/o Gliderol Garage Doors Pty Ltd
23 Kitchen Road
Dandenong VIC 3175
Telephone (03) 9793 5455
Facsimile (03) 9706 8492

United Kingdom
Gliderol Doors UK Ltd
1 Doxford Drive
South West Industrial Estate
Peterlee Co, Durham
Telephone 0915 18 0455
Facsimile 0915 18 0548

Singapore
Gliderol Doors Pty Ltd
No 86 International Road
Singapore 629176
Telephone 65 2666668
Facsimile 65 2666866

Malaysia
Gliderol Doors (M) SDN BHD
NO49B 2nd Floor Jln SS15/8A
47500 Subang Jaya
Selangor Darul Ehsan, Malaysia
Telephone 7342350
Facsimile 7343217

China
People's Republic of China
Gliderol (Asia) Pte Ltd
No 20 Beimen Heling
Quanzhou, Fujian Province
People's Republic of China
Telephone 595 2383838
Facsimile 595 2392388

United States
Gliderol International
Jim Pace
2317 Ridgewood Drive
Piano, Texas 75074
Telephone 214 423 9075
Facsimile 214 423 8735

Saudi Arabia
Al-Moosa Garage Doors
Al Hassa, Dhahran Street
PO Box 10070 Pin Code 31982
Telephone 966 3 587 3660
Facsimile 587 8050

Bahrain
Abbas Biljeek & Sons
PO Box 308
Manama, Bahrain
Telephone 973 253 131
Facsimile 973 271 133

United Arab Emirates
ADESCO
PO Box 43217, Abu Dhabi
Telephone 9712-393 915
Facsimile 9712-393 965
Al Adسانی & Partners
Electronic Doors
PO Box 1510
Doha Qatar
Telephone 974 824 340
Facsimile 974 824 336

India
Indo-Germa Products Ltd
No 14 Pattullous Road
Madras 500 002
Telephone 91 44 4998206
Facsimile 91 44 4996917

Papua New Guinea
Badili Auto Electrical
PO Box 94 Port Moresby
Telephone 675-25 5328
Arc Titan Pty Ltd
Taraka, LAE
Telephone 675-45 7111
Facsimile 675-45 7385

Taiwan Republic of China
Gliderol Garage Doors Taiwan Inc
S/F No 1, Pao-Ding 2nd St Taoyuan
Taiwan
Tel Office 886 3 355 1408
Facsimile 886 3 356 8762

Thailand
Gliderol Doors (Thai) Co. Ltd
24/32 Moo 6, Bangna-Trad Road,
Bangsaothong, Smutprakarn 10540
Thailand
Telephone (662) 740-0231-3
Facsimile (662) 740-0235

Spain
Puertas Cubells
Camino Del Rochs 62
46013 Valencia España
Telephone (6) 367 6766
Telex (6) 367 77380

Sri Lanka
Gliderol Lanka
349 Old Moor Street
Colombo 12
Sri Lanka
Telephone 0094-1-320195
Facsimile 0094-1-423620

